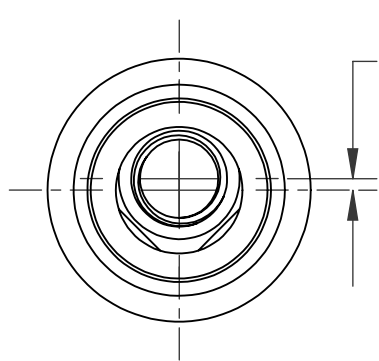
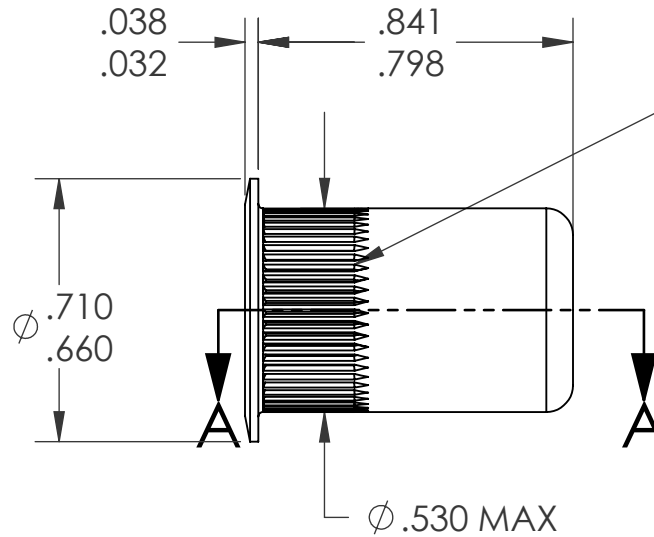
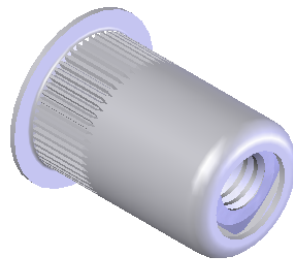


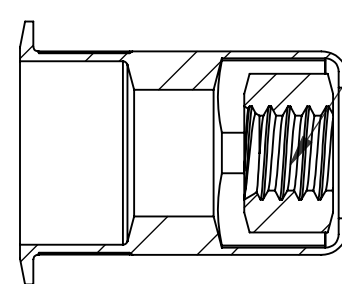
REVISIONS			
REV.	DESCRIPTION	DATE	ECN
A	INITIAL RELEASE	11/4/08	1107
B	CHANGED ANVIL SIZE	2/6/09	1144



.030
RADIAL
DEFLECTION



AXIAL KNURL



1/4-20 UNC 2B
PER ASME B1.1
MINOR DIA.: .196 - .207

SECTION A-A

NOTE:


- GRIP RANGE: .027 - .150
- HOLE SIZE: $\phi .531 +.006/-0.000$ AFTER ALL APPLIED FINISHES.
- INSTALLED LENGTH: .630 REF.
- INSTALLED THREAD DEPTH: N/A
- LUBRICATION: NONE
- INSTALLATION TOOL: MS 50 SPIN-PULL (ANVIL - MA-161-2520RF)

U.S. PATENT NO. 7,713,011

PROPRIETARY AND CONFIDENTIAL

THIS DRAWING, AND THE INFORMATION CONTAINED HEREIN, ARE THE PROPERTY OF SHEREX AND ARE NOT TO BE USED IN ANY MANNER DETRIMENTAL TO THE INTEREST OF THE COMPANY.
SHEREX SOLUTIONS RESERVES THE RIGHT TO REVISE PART/DRAWING WITHOUT NOTICE.

		UNLESS OTHERWISE SPECIFIED:	NAME	DATE
		DIMENSIONS ARE IN INCHES TOLERANCES: ANGULAR: MACH ± 1 BEND ± 1 TWO PLACE DECIMAL $\pm .01$ THREE PLACE DECIMAL $\pm .005$	DRAWN	JVK 11/3/08
		INTERPRET GEOMETRIC TOLERANCING PER: ASME Y14.5M-1994	CHECKED	
		MATERIAL BODY: C1008/1010 NUT: MED. CARBON STEEL	ENG APPR.	JVK 11/4/08
		FINISH BODY AND NUT: ZINC PLATE W/ CLEAR TRIVALENT CHROMATE RoHS COMPLIANT; 8-12 μ m	MFG APPR.	AP 11/13/08
NEXT ASSY	USED ON		Q.A.	
			COMMENTS:	
			E-mail: info@sherex.com	
			www.sherex.com	
			Phone: 866-474-3739	
			Fax: 716-875-0358	
	APPLICATION	DO NOT SCALE DRAWING		

		
TITLE:		
LARGE FLANGE RIV-FLOAT		
SIZE DWG. NO.		REV
A	RFL2-2520-150	B
SCALE: 2:1	WEIGHT: .0113 kg	SHEET 1 OF 1